

**CANGEO**<sup>®</sup>  
Advanced Attachment System



made by GIORGIO CANGINI

# Tornado



THE PROFESSIONAL **STUMP GRINDER**  
FOR YOUR INTENSIVE **WORK.**

ADVANCED VERSION

# COMPLETELY REMOVES THE STUMP, LEAVING THE AREA IMMEDIATELY READY FOR RESTORATION.

## POWERFUL AND PRECISE REMOVAL DESIGNED TO REMOVE STUMPS AND

Roots quickly and with full control, ensuring consistent performance even on difficult terrain.

## MAXIMUM APPLICATION VERSATILITY

Compatible with excavators, wheel loaders, backhoe loaders, skid loaders and mini skid loaders, with front or rear mounting configuration.

## INTEGRATED BUCKET FOR GROUND RESTORATION

After stump grinding, it allows the area to be levelled and immediately prepared for the next operation.



ENTREPRISE VINCENT TRAVAUX PUBLICS

3082, ROUTE DEPARTEMENTALE 113

13340 ROGNAC

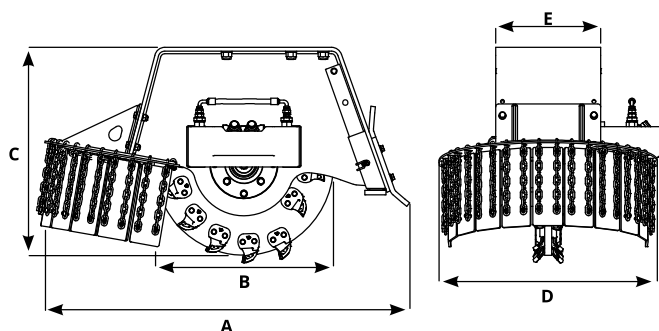
Tél : 04.42.46.07.62 Fax : 04.42.46.07.98

Mail : [vtp@vincent-tp.fr](mailto:vtp@vincent-tp.fr)

[www.vincent-tp.fr](http://www.vincent-tp.fr)

# Premium Line





### KIT DRAINAGE

Tornado drainage kit backpressure MAX 15 BAR 75,00 €

Model	Kg.	€
ADAPTER FOR QUICK COUPLING for 350	/	444,00 €
ADAPTER FOR QUICK COUPLING for 450	/	570,00 €
ADAPTER FOR QUICK COUPLING for 600	/	1.200,00 €
BOLTED PLATE MACHINE COUPLING for 350	13	132,00 €
BOLTED PLATE MACHINE COUPLING for 450	17	150,00 €
BOLTED PLATE MACHINE COUPLING for 600	16.5	215,00 €
FIXED COUPLING MACHINE for 350	/	444,00 €
FIXED COUPLING MACHINE for 450	/	570,00 €
FIXED COUPLING MACHINE for 600	/	1.200,00 €



TORNADO 2	Tornado 2 350		Tornado 2 350 PLUS		Tornado 2 450		Tornado 2 450 PLUS		Tornado 2 600		Tornado 2 600 PLUS
TONS	1.0 - 3.0		2.5 - 4.5		4.0 - 6.5		6.0 - 9.0		9.0 - 13.0		13.0 - 18.0
Cod.											
A (mm)	830		830		970		970		1230		1230
B (Ømm)	350		350		450		450		600		600
C (mm)	430		430		540		540		710		710
D (mm)	610		610		610		610		730		730
E (mm)	350		350		350		350		350		350
Engine (CC)	12	18	25	32	25	32	45	63	45	63	80
Hydraulic Fluid Flow Rate (L/Min')	16	24	32	42	32	42	56	80	56	80	110
Rev/min (RPM)	1330	1330	1280	1315	1280	1315	1300	1300	1290	1300	1375
Weight (Kg)	116		120		170		173		278		280
Teeth number	16		16		20		20		28		28
Pressure (BAR)	250		250		250		250		250		250
Back pressure Max (BAR)	15		15		15		15		15		15
€	5.590,00 €		5.700,00 €		6.980,00 €		7.100,00		9.250,00 €		10.890,00 €

